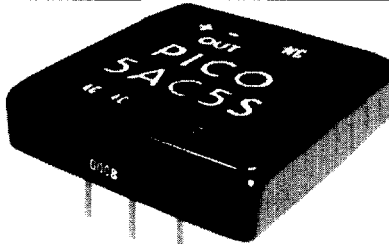


SERIES 5AC
Hi Reliability
Hi Efficiency/Isolated
Single and Dual Outputs
Regulated
5 Watt AC - DC
Switchers

Lowest Profile!
0.5" ht. Up to 5 Watts



5 Watt AC-DC Switchers

- FEATURES**
- Low profile 0.500"
 - Low weight
 - Encapsulated semiconductors, conservatively rated for maximum reliability.
 - Excellent voltage regulation
 - Excellent load regulation
 - Up to 5 watts output power at 70°C ambient
 - Low output ripple
 - Isolation 1200V RMS
 - Single and dual outputs
 - No heat sink required
 - Miniature size
 - No output capacitor required
 - Shielding

This series of low profile, 5 Watt AC to DC switchers come in 7 different models. These units offer high efficiency and precise regulation throughout the operating temperature range of -25°C to +70°C ambient, with no heat sink or electrical derating required. The 5 AC series keeps a maximum 0.500" height while still offering you 1200 volts RMS isolation in a rugged encapsulated case. The convenience of PC mounting and the availability of dual outputs should aid your circuit design.

TYPICAL CHARACTERISTICS:
Test conditions: 25°C ambient
Input voltage: 90-130VAC or 170-240 VAC (47-440Hz)
Line/load regulation: See specifications below
Converter frequency: 25-35 KHz typ.
Operating temperature: -25°C to +70°C
Output voltage temperature coefficient: 0.02%/°C
Storage temperature: -55°C to +125°C
Isolation: 1200V RMS
Short circuit protection:
 Continuous

OPTIONS AVAILABLE

- Expanded operating temp. (-55°C to +85°C)
- Stabilization Bake (125°C ambient)
- Temperature Cycle (-55°C to +125°C)
- Hi Temp, burn in

Low Capacity Option
 All units can be manufactured with isolation capacity of 50pF. Contact factory

No Heat Sink or Electrical Derating Required

Now Available
 170-240 VAC Input

SERIES 5AC SINGLE OUTPUT/INPUT VOLTAGE 90-130 VAC (47-440Hz)
(OPTIONAL 170-240VAC, 47-440 Hz)**

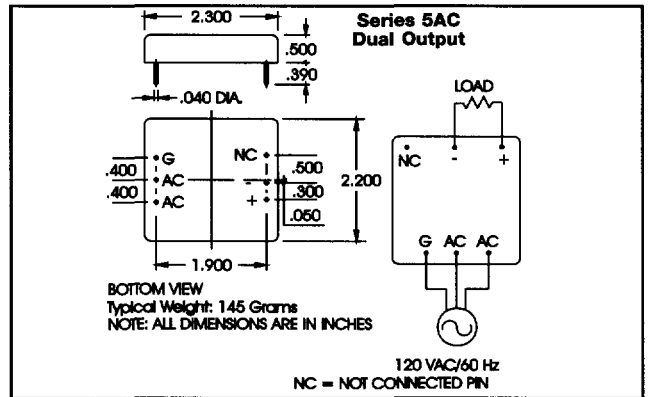
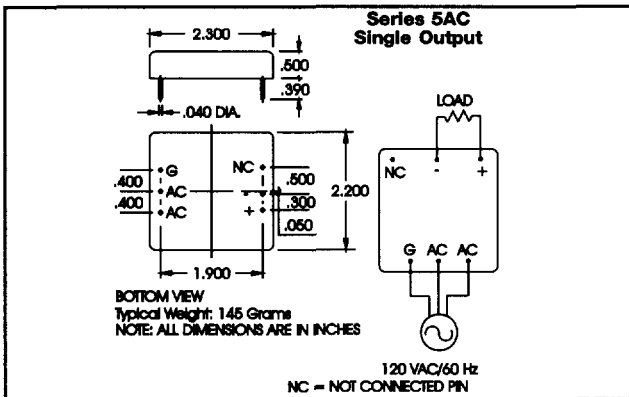
PICO PART NUMBER	OUTPUT VOLTAGE VDC	MAX. LOAD CURRENT (mA)	MAX. OUTPUT POWER (WATTS)	EFF. @ FULL LOAD TYPICAL (%) *	OUTPUT RIPPLE @ FULL LOAD 1-1 MHz BW mv p-p	OUT VOLT TOLERANCE (±%)*	VLD REG 10% - 100% LOAD (±%)*†	LINE REGULATION (±%)*	PRICE 1-24
5AC5S	5	1000	5	72	50	0.5	0.5	0.2	189.00
5AC12S	12	417	5	75	50	0.5	0.5	0.2	189.00
5AC15S	15	333	5	75	50	0.5	0.5	0.2	189.00
5AC24S	24	208	5	76	50	0.5	0.5	0.2	189.00

*Readings taken at 115VAC-60Hz † = 10% minimum load required **All units available with 170-240VAC Input. Add H. prefix to part number \$40 per unit cost added.

SERIES 5AC DUAL OUTPUT/INPUT VOLTAGE 90-130 VAC (47-440Hz)
(OPTIONAL 170-240VAC, 47-440 Hz)**

PICO PART NUMBER	OUTPUT VOLTAGE VDC	MAX. LOAD CURRENT (mA) PER OUTPUT	MAX. OUTPUT POWER (WATTS) PER OUTPUT	EFF. @ FULL LOAD TYPICAL (%) *	OUTPUT RIPPLE @ FULL LOAD 1-1 MHz BW mv p-p	OUT VOLT TOLERANCE (±%)*	VLD REG 10% - 100% LOAD (±%)*†	LINE REGULATION (±%)*	PRICE 1-24
5AC5D	±5	500	2.5	72	50	0.5	0.5	0.2	214.00
5AC12D	±12	209	2.5	75	50	0.5	0.5	0.2	214.00
5AC15D	±15	167	2.5	75	50	0.5	0.5	0.2	214.00

*Readings taken at 115VAC-60Hz † = 10% minimum load required **All units available with 170-240VAC Input. Add H. prefix to part number \$40 per unit cost added.



For immediate engineering assistance or to place an order - Call Toll Free 800-431-1064

Delivery - stock to one week

PICO Electronics, Inc.
 143 Sparks Avenue, Pelham, NY 10803-1837 • FAX 914-738-8225
 www.picoelectronics.com • E-Mail: info@picoelectronics.com